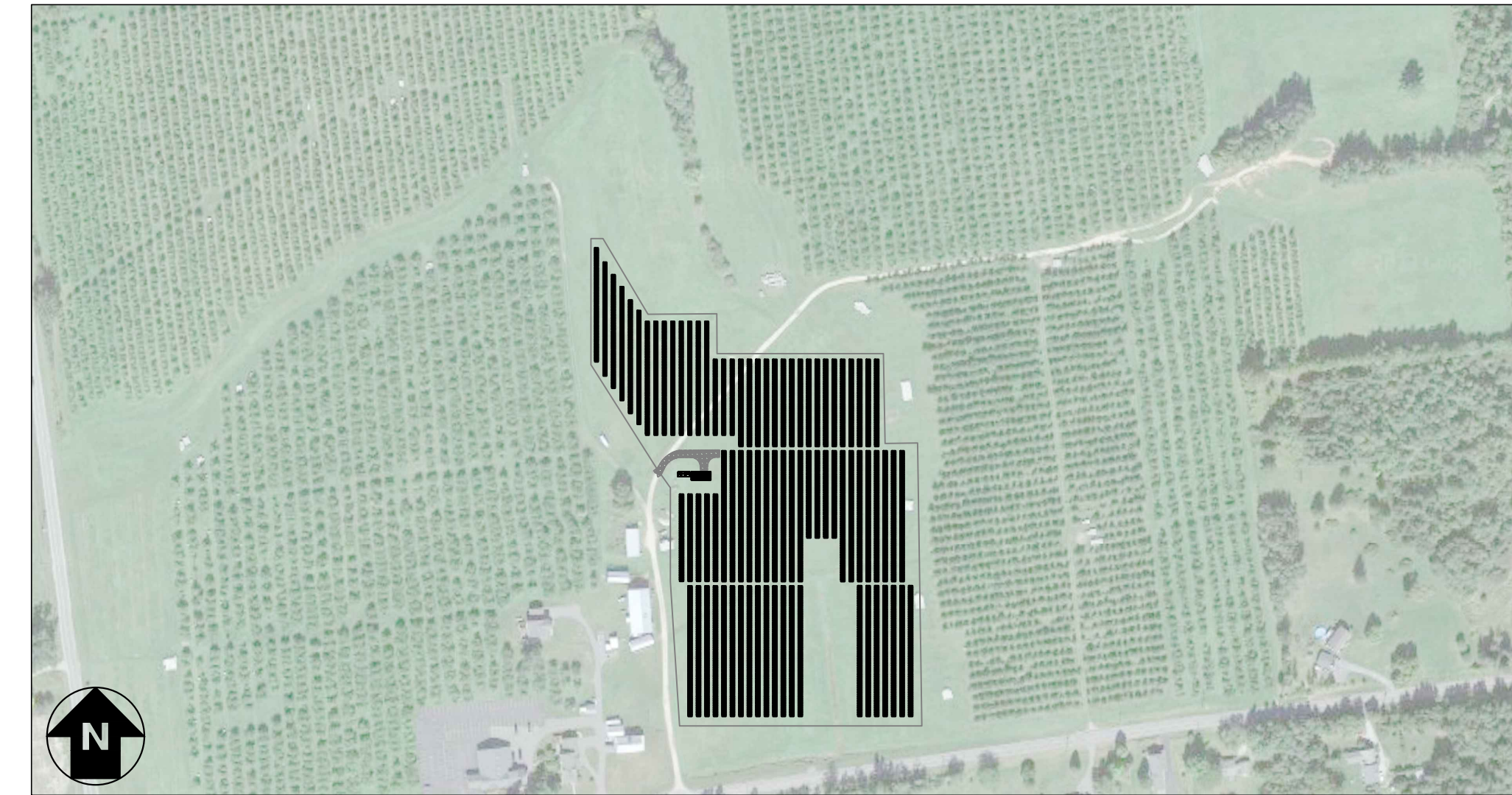


# 2,648.28 KW SOLAR GROUND MOUNT SYSTEM AT HAMILTON ORCHARD

294 MANNIX RD, PERU, NY 12972



LOCATION MAP  
SCALE: 1" = 800'-0"



SYSTEM PLAN  
SCALE: 1" = 300'-0"

### TOTAL SYSTEM SUMMARY:

TOTAL DC SYSTEM SIZE: 2,648.28 kWDC  
 TOTAL AC SYSTEM SIZE: 2,000.00 kWAC

MODULE MANUFACTURER: HELIENE  
 (QTY) MODULE TYPE 1: (1,152) 72M SILVER (380W)  
 MODULE MANUFACTURER: PHONO SOLAR  
 (QTY) MODULE TYPE 2: (4,056) PS545M8H (545W)

MODULE TILT: TRACKER  
 MODULE AZIMUTH: 180°

INVERTER MANUFACTURER: CHINT  
 INVERTER TYPE: (16) CPS SCH125KTL-DO/US-600

TRACKER MANUFACTURER: POLAR RACKING AXSUS SOL-X

### SCOPE OF WORK SUMMARY

- GROUND MOUNT PV ARRAY:
- INSTALL SOLAR MODULES AND RACKING SYSTEM ON GROUND LEVEL.
  - INSTALL INVERTERS AND ELECTRICAL DISTRIBUTION EQUIPMENT.
  - INTERCONNECT AT NEW UTILITY SERVICE

DEVELOPER:



4700 POTTSVILLE PIKE,  
READING, PA 19605

ENGINEERED BY:



111 RIVER STREET, SUITE 1110  
HOBOKEN, NEW JERSEY 07030

### DRAWING INDEX

GENERAL	CONCEPTUAL DESIGN	DESIGN DEVELOPMENT	DESIGN DEVELOPMENT	DESIGN DEVELOPMENT
G001 TITLE SHEET	●	●	●	
<b>ELECTRICAL</b>				
E001 ELECTRICAL NOTES & SYMBOLS LIST			●	
E100 OVERALL ELECTRICAL PLAN			●	
E101 EQUIPMENT AREA PLAN			●	
E110 TRACKER POWER & CONTROL PLAN			●	
E200 DC ELECTRICAL PLAN			●	
E201 DC ELECTRICAL PLAN			●	
E202 DC ELECTRICAL PLAN			●	
E203 DC ELECTRICAL PLAN			●	
E300 ONE LINE DIAGRAM -- MEDIUM VOLTAGE	●	●	●	
E301 ONE LINE DIAGRAM -- LOW VOLTAGE	●	●	●	
E310 SCHEDULES & CALCULATIONS			●	
E311 SCHEDULES & CALCULATIONS			●	
E410 GROUNDING DETAILS			●	
E411 FENCE GROUNDING DETAILS			●	
E420 ELECTRICAL DETAILS			●	
E500 LABELS & SIGNAGE			●	
E600 EQUIPMENT DATA SHEETS			●	

LEGEND:

UPDATED DRAWING ISSUED	●
UNCHANGED, PREVIOUSLY ISSUED DRAWING STILL CURRENT	○
DRAWING REMOVED FROM SET	x

CONCEPTUAL DESIGN	06/20/2023
CONCEPTUAL DESIGN REV1	07/07/2023
DESIGN DEVELOPMENT	07/21/2023

DRAWING TITLE  
TITLE SHEET

DRAWING #  
G001

PROJECT: 2,648.28 KW SOLAR SYSTEM AT HAMILTON ORCHARD 294 MANNIX RD, PERU, NY 12972

DC SYSTEM SIZE: 2,648.28 KWDC  
 AC SYSTEM SIZE: 2,000.00 KWAC  
 MODULE TYPE: HELIENE 72M SILVER (380W)  
 PHONO SOLAR PS545M8H (545W)  
 MODULE QUANTITY: 1,152(380W) & 4,056(545W)  
 ORIENTATION: TRACKER, 180° AZIMUTH

DEVELOPER: RER Energy Group  
 4700 POTTSVILLE PIKE  
 READING, PA 19605  
 RENERGEGROUP.COM

ENGINEER: RER ENERGY GROUP  
 4700 POTTSVILLE PIKE  
 READING, PA 19605  
 RENERGEGROUP.COM

PUREPOWER ENGINEERING  
 111 RIVER STREET, SUITE 1110  
 HOBOKEN, NJ 07030  
 WWW.PUREPOWER.COM  
 RICHARD A. WINIS  
 NY LICENSE NO. 081197

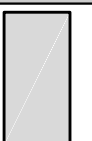
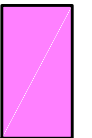
REVISION DESCRIPTION	DATE	DATE	DATE
CONCEPTUAL DESIGN	06/20/2023	08/01/2023	08/01/2023
CONCEPTUAL DESIGN REV1	07/07/2023	07/07/2023	07/07/2023
CONCEPTUAL DESIGN	06/20/2023	08/01/2023	08/01/2023

PAGE SIZE: 3.6" x 24"  
 PROJECT #: 07104

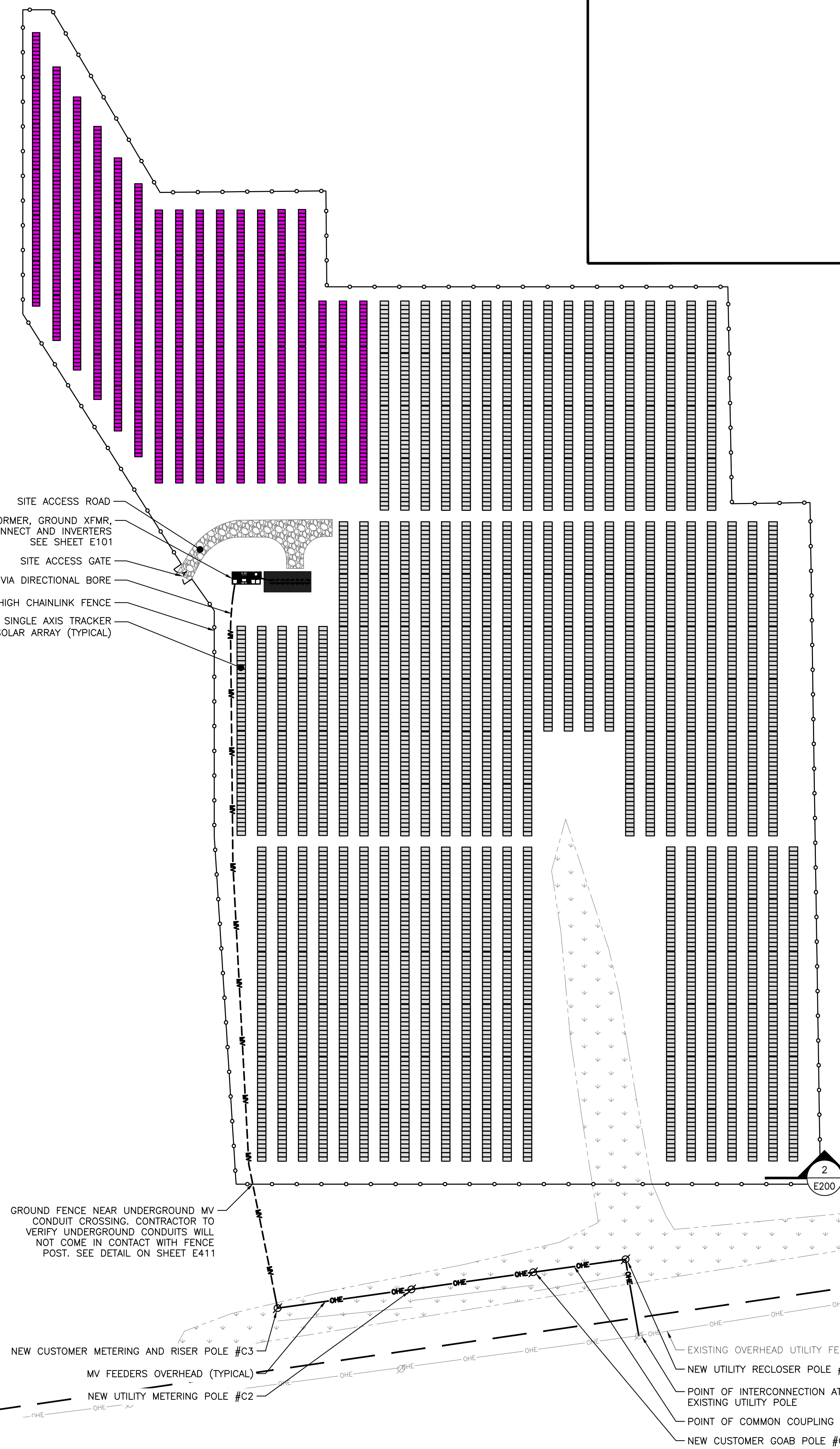
RULER IN INCHES: 0 1 2 3 4 5 6 7 8 9 10 11 12 13 14 15 16 17 18  
 PLOT DATE: 8/7/2023 11:54 AM

RULER IN INCHES: 0 1 2 3 4 5 6 7 8 9 10 11 12 13 14 15 16 17 18

SYSTEM SUMMARY	
DC SYSTEM SIZE	2,648.28 KW
AC SYSTEM SIZE	2,000.00 KW
(QTY) MODULE 1	(1152) HELIENE 72M SILVER 380P (380W)
(QTY) MODULE 2	(4056) PHONO SOLAR PS545M8H (545W)
(QTY) INVERTER	(16) CHINT CPS SCH125KTL (125KW)
TILT / AZIMUTH	TRACKER / 180° AZIMUTH
UTILITY	NYSEG

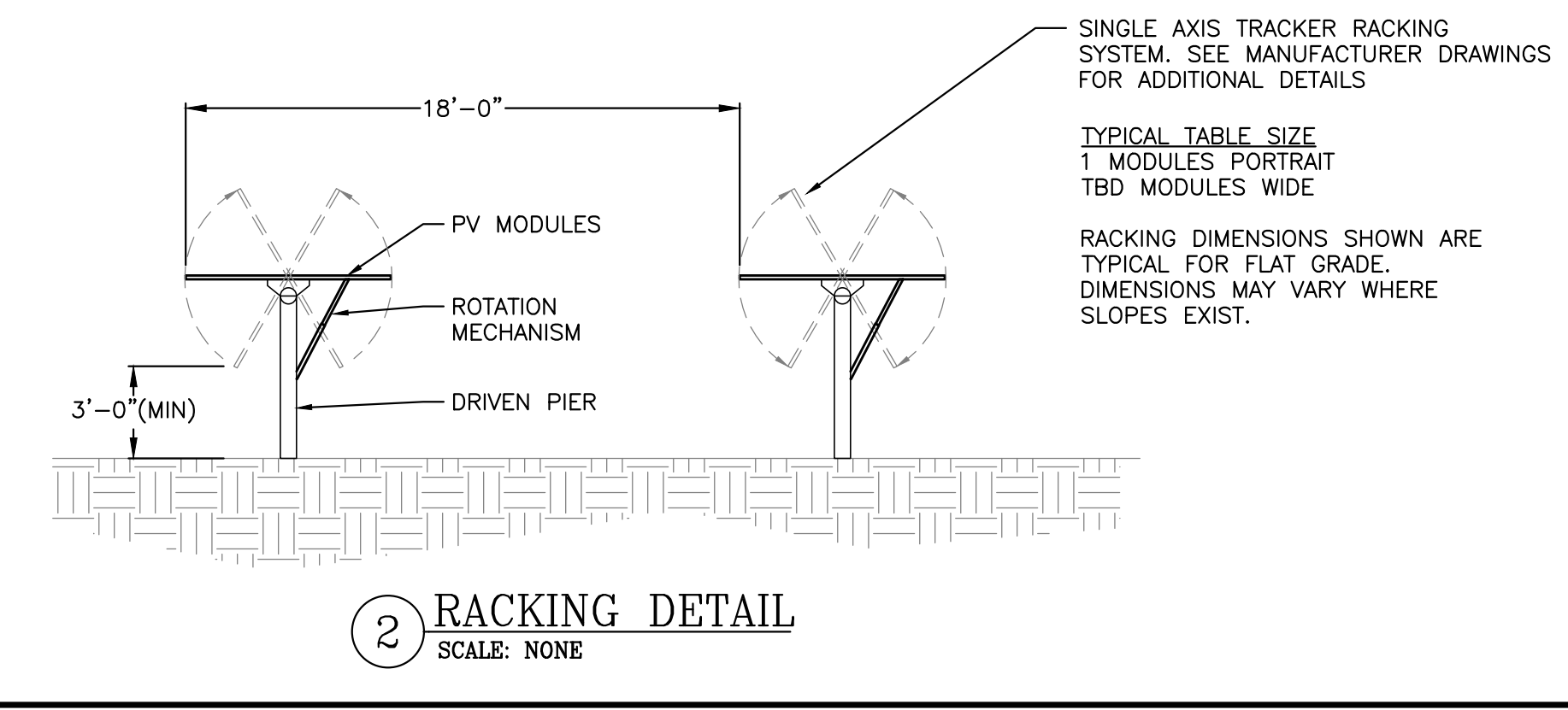
LEGEND - MODULES	
SYMBOL	DESCRIPTION
	PHONO SOLAR PS545M8H (545W)
	HELIENE 72M SILVER 380P (380W)

- SITE ACCESS ROAD
- EQUIPMENT AREA WITH SOLAR TRANSFORMER, GROUND XFMR, SOLAR AC SWITCHBOARD, MV DISCONNECT AND INVERTERS SEE SHEET E101
- SITE ACCESS GATE
- MV FEEDERS UNDERGROUND VIA DIRECTIONAL BORE
- 7FT HIGH CHAINLINK FENCE
- SINGLE AXIS TRACKER SOLAR ARRAY (TYPICAL)



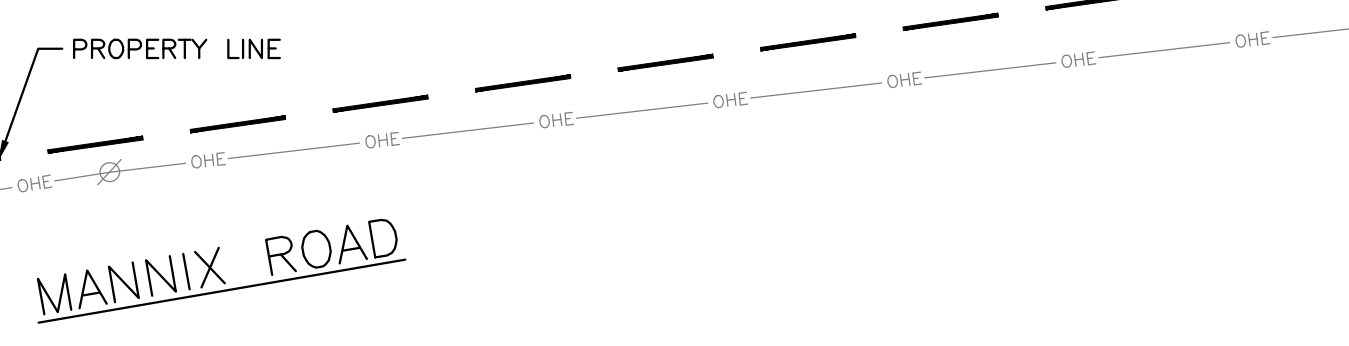
**IMPORTANT:**  
DO NOT STEP OR KNEEL  
ON PV MODULES

**1 OVERALL ELECTRICAL PLAN**  
SCALE: 1"=60'



**2 RACKING DETAIL**  
SCALE: NONE

SITE COORDINATES:  
44.583848, -73.565867



DRAWING TITLE  
**OVERALL ELECTRICAL PLAN**

DRAWING #  
**E100**

PROJECT: 2,648.28 KW SOLAR SYSTEM AT HAMILTON ORCHARD 294 MANNIX RD, PERU, NY 12972  
 DEVELOPER: RER ENERGY GROUP 4700 POTTSVILLE PIKE READING, PA 19605  
 ENGINEER: PUREPOWER ENGINEERING INC. 111 W. PUREPOWER.COM RICHARD A. WINIS NY LICENSE NO. 081197  
 DATE: 08/01/2023 DESIGN DEVELOPMENT 07/07/2023 CONCEPTUAL DESIGN REV1 05/30/2023 CONCEPTUAL DESIGN  
 PM: ENG: CHK: SRM: MW: RI: SRM: MW: RI: SRM: MW: RI: